

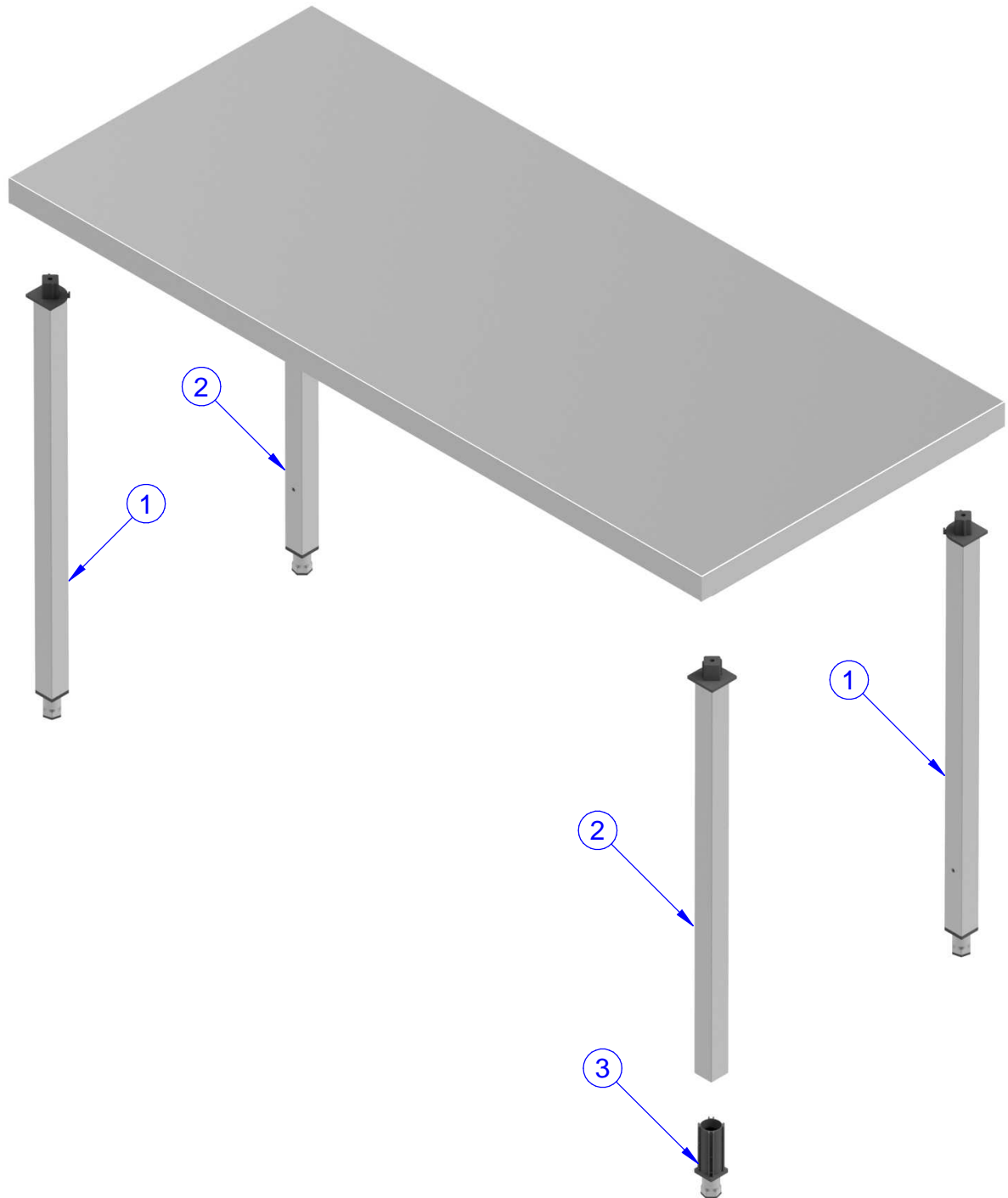
**TAVOLO SU GAMBE  
WORK TABLE ON LEGS**

PNC	MODEL	L = mm	H = mm	REF	PNC	MODEL	L = mm	H = mm	REF
132723	TG1000PN	1000	900	a	132839	WTD1007N	1000	900	h
132724	TG1200PN	1200	900	b	132840	WTD1207N	1200	900	i
132725	TG1400PN	1400	900	c	132841	WTD1407N	1400	900	j
132726	TG1600PN	1600	900	d	132842	WTD1607N	1600	900	k
132727	TG1800PN	1800	900	e	132843	WTD1807N	1800	900	l
132728	TG2000PN	2000	900	f	132844	WTD2007N	2000	900	m
132729	TG2400PN	2400	900	g					
133214	TG500MBN	500	900	n					
133215	TG600N	600	900	o					
133216	TG700MBN	700	900	p					
133217	TG800N	800	900	q					
133218	TG900MBN	900	900	r					
133219	TG1100N	1100	900	s					
133220	TG1300N	1300	900	t					
133221	TG1500N	1500	900	u					
133222	TG1700N	1700	900	v					
133223	TG1900N	1900	900	w					
133224	TG2200N	2200	900	x					
133225	TG2600N	2600	900	y					
133226	TG2800N	2800	900	z					

Pag.	Descrizione	Description
1	Indice	Index
2	Disegni	Drawings
3	Lista ricambi	Spare parts list

**Brand / Marchio:** STD - EB

**TAVOLO SU GAMBE  
WORK TABLE ON LEGS**



**TAVOLO SU GAMBE  
WORK TABLE ON LEGS**

<b>POS</b>	<b>Validità dal 18/02/2019</b>	<b>CODE</b>	<b>DESCRIZIONE</b>	<b>DESCRIPTION</b>	<b>Alias code</b>	<b>NOTES/REF.</b>
1		0PEA24	Gamba 900 SX	Left Leg 900	254000215	a,b,c,d,e,f,g,h,i,j,k,l,m, n,o,p,q,r,s,t,u,w,x,y,z
2		0PEA25	Gamba 900 DX	Right Leg 900	254000214	a,b,c,d,e,f,g,h,i,j,k,l,m, n,o,p,q,r,s,t,u,w,x,y,z
3		0PEA26	Piedino inox/nylon 40x40 H100	Feet inox/nylon 40x40 H100	400688001	a,b,c,d,e,f,g,h,i,j,k,l,m, n,o,p,q,r,s,t,u,w,x,y,z